

Pepwave Outdoor (X Series) Installation Guide

Package Contents & Accessories

The following items are included in the package:

- 1 x Pepwave Device



- 2 x Semicircular Pole Connectors.....



- 1 x Mounting Unit

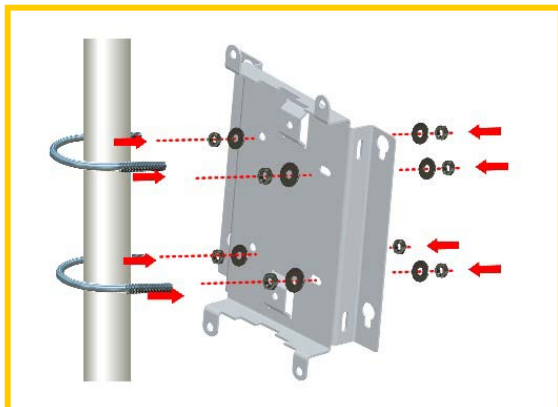


- 1 x Parts Package: Washers, Nut and Bolts



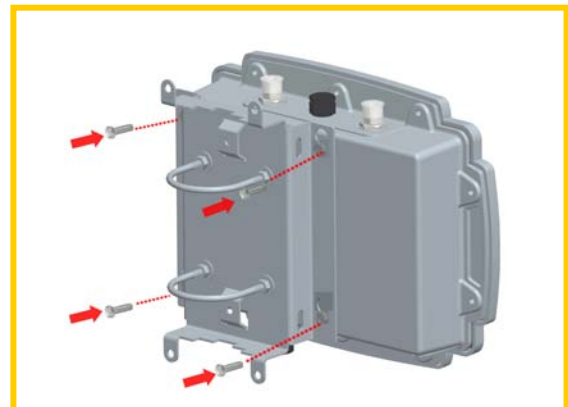
Installation

Step One: Attach Mounting Unit to Pole



- 1) Fix the mounting unit to the pole you intend to use for your Pepwave device.
- 2) With the pole in between, attach the two semicircular pole connectors to the mounting unit, as shown in the picture.
- 3) Place a washer in between the nut and mounting unit surface on each side of the mounting unit.
- 4) Tighten the nut on each side to fix the combined mounting unit onto the pole.

Step Two: Connect Device and Mounting Unit



- 1) Fix the device to the mounting unit.
- 2) Align the holes on the lips of the mounting unit with the holes on the back of your device as shown in the picture.
- 3) Placing a washer in between each screw and hole on the mounting unit, tighten the screw into the back of your device.

Step Three: Prepare the Ethernet Cable



- 1) Unscrew the cable connector into three parts.
- 2) Pass the end of the Ethernet cable through the three parts.
- 3) Your cable and connector should be in the same setup as shown in the picture.

Optional: Grounding the Device



- 1) Your device can be grounded if your pole is equipped with a grounding cable.
- 2) Remove the screw and plate from the grounding terminal on your device.
- 3) Place the end of the grounding cable as shown in the picture and screw the grounding plate back onto the device.

Step Four: Connect the Ethernet Cable and Antenna



- 1) Screw the parts together and finally screw it to the Ethernet Port on the bottom side of the device.

Pepwave Technical Support

In the event of issues during installation, please visit <http://www.pepwave.com/contact/support/> for assistance.



THIS SIDE UP

Important

When using the device, please always keep THIS SIDE UP.