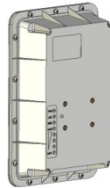


Pepwave Installation Guide

Package Contents & Accessories

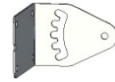
The following items are included in the package:

- 1 x Pepwave device



- Package parts: Hexagonal Head bolts, flat washers, spring washes, nuts, screws

- 1 x Adjustment mounting unit A



- 1 x Mounting unit B

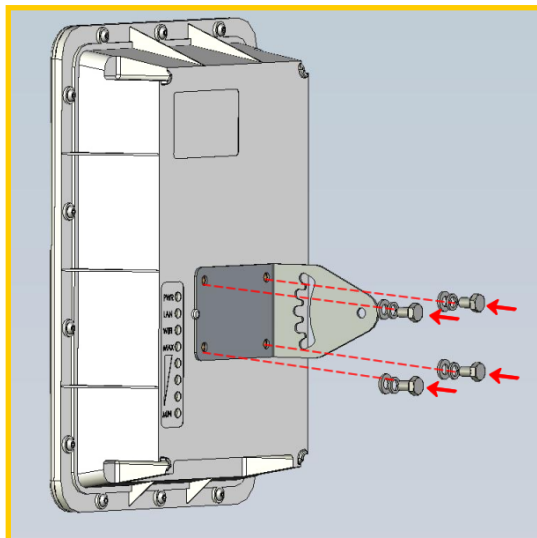


- 2 semicircular pole connectors.....



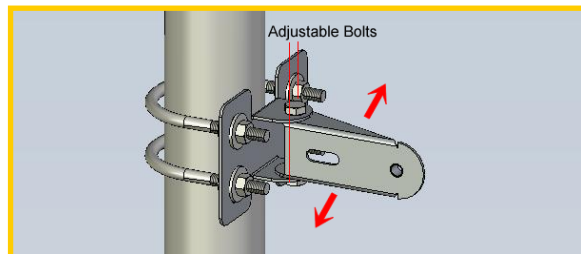
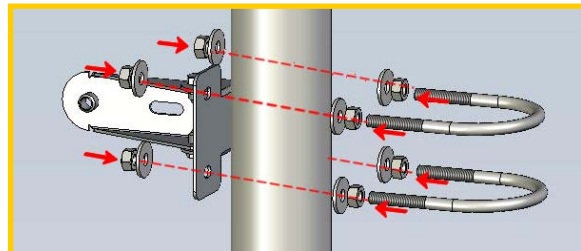
Installation

Step One: Attach mounting unit A



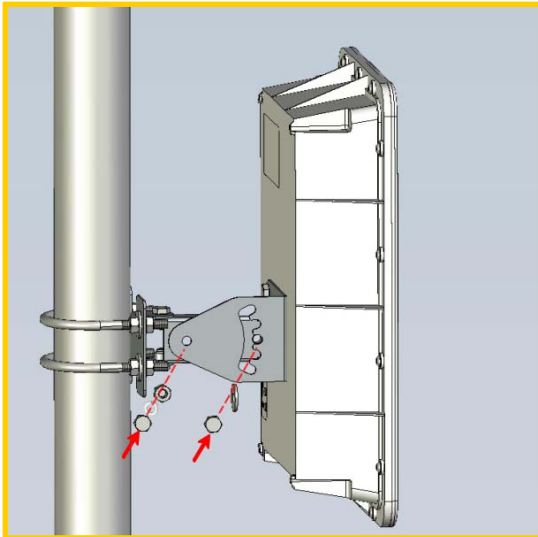
Using the provided bolts and spring washes, attach the mounting unit A to the back of the device.

Step Two: Attach mounting unit B to a pole



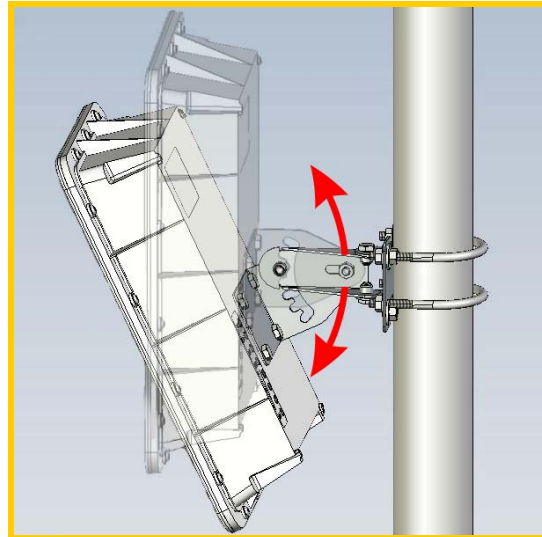
- 1) With the pole in between, attach the two semicircular pole connectors to the mounting unit B.
- 2) Tighten the nuts and washers on both the front and backside to fix mounting unit B onto the pole.
- 3) When needed, loosen the adjustable bolts on the mounting unit B, and rotate it to proper orientation.

Step Three: Connect device and mounting unit B



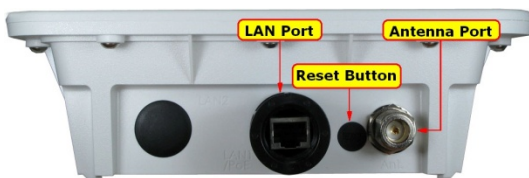
- 1) Align the holes on the mounting unit B with the adjustable holes on mounting unit A
- 2) With the provided bolts and washers, fix the mounting unit A to mounting unit B

Step Four: Adjust device position



When needed, loosen the bolts and washers in Step Three, and select a hole among adjust holes on mounting unit A. Rotate the device to get a desired angle.

Step Five: Connect RJ45 Cable and Antenna



Plug the RJ45 cable into the Feed-thru LAN port on the bottom side of the unit. Attach an antenna to the antenna port (optional).



Important note: To use the device, please always keep THIS SIDE UP.

Pepwave Technical Support

In the event of issues during installation, please contact Pepwave Technical Support at support@pepwave.com for assistance.